

K-LINE Axial Flow AC Cooling Fan



SIZE:

- 80 x 80 x 25mm

CONSTRUCTION:

- Die-cast aluminum housing
- Glass fiber reinforced plastic impeller, UL 94V-0 grade
- Impedance protected
- Available with lead wire connection only

OPERATING TEMPERATURE:

- Ball Bearing -30°C to +75°C
- Sleeve Bearing -10°C to +70°C

WEIGHT:

- 260 grams

01

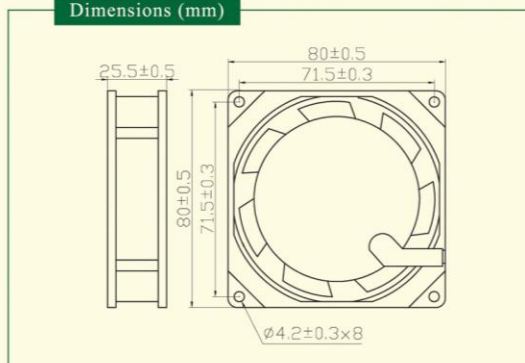
Specifications

Specifications are subject to change without notice

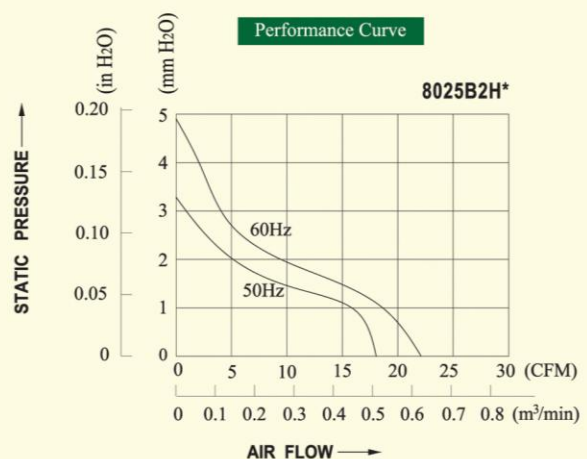
MODEL	BEARING	RATING	FREQUENCY	RATING	POWER	SPEED	AIR FLOW		STATIC	NOISE
		VOLTAGE		CURRENT			CONSUMPTION	m ³ /min		
		VAC	Hz	A	W	RPM			mmHzO	dB-A
8025B1H*	Ball	115	50/60	0.12/0.10	14.0/13.5	2550/2900	0.51/0.61	18/22	3.30/4.83	29/33
8025S1H*	Sleeve									
8025B1M*	Ball	115	50/60	0.09/0.08	11.0/10.0	2300/2600	0.46/0.53	16/19	3.00/3.50	24/30
8025S1M*	Sleeve									
8025B1L*	Ball	115	50/60	0.07/0.07	9.0/8.0	2000/2200	0.37/0.40	13/14	2.70/2.60	20/21
8025S1L*	Sleeve									
8025B2H*	Ball	220/240	50/60	0.07/0.06	14.0/13.5	2550/2900	0.51/0.62	18/22	3.30/4.83	29/33
8025S2H*	Sleeve									
8025B2M*	Ball	220/240	50/60	0.06/0.06	11.0/10.0	2300/2600	0.46/0.53	16/19	3.00/3.50	24/30
8025S2M*	Sleeve									
8025B2L*	Ball	220/240	50/60	0.05/0.05	9.0/8.0	2000/2200	0.37/0.40	13/14	2.70/2.60	20/21
8025S2L*	Sleeve									

*=T,L(T-Terminal type,L-Lead wire)

Dimensions (mm)



Performance Curve



Rickson Engineering Ltd.
21/F, Sun Hing Ind. Building,
46 Wong Chuk Hang Road, Hong Kong.

Tel: (852) 3120 7500

Fax: (852) 3120 7511

利信機電有限公司
香港黃竹坑道 46 號
新興工業大廈 21 字樓

Email: general@rickson.com.hk

Website: <http://www.rickson.com.hk>

K-LINE Axial Flow AC Cooling Fan



SIZE:

- 80 x 80 x 38mm

02

CONSTRUCTION:

- Die-cast aluminum housing
- Glass fiber reinforced plastic impeller, UL 94V-0 grade
- Impedance protected
- Available with lead wire or terminal connection

OPERATING TEMPERATURE:

- Ball Bearing -30°C to +75°C
- Sleeve Bearing -10°C to +70°C

WEIGHT:

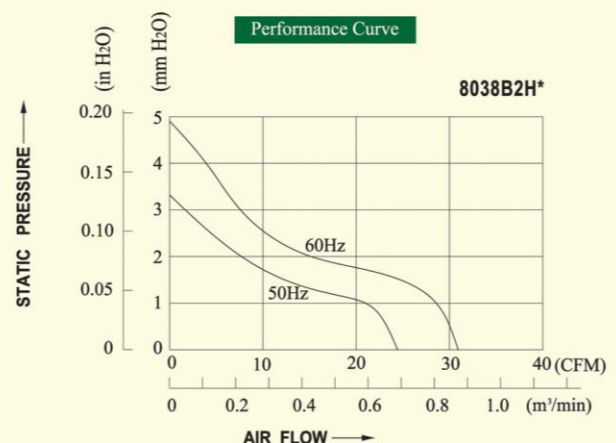
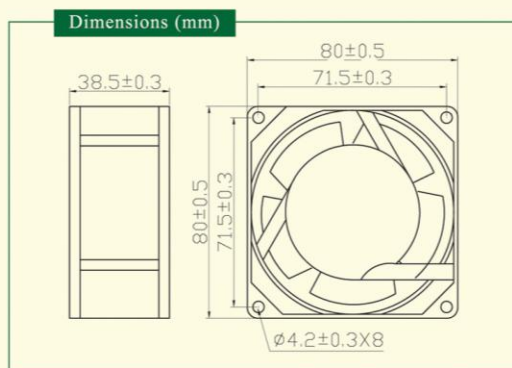
- 340 grams

Specifications

Specifications are subject to change without notice

MODEL	BEARING	RATING	FREQUENCY	RATING	POWER	SPEED	AIR FLOW		STATIC	NOISE
		VOLTAGE	Hz	CURRENT	CONSUMPTION	RPM	m ³ /min	CFM	PRESSURE	
		VAC		A	W				mmHzO	dB-A
8038B1H*	Ball	115	50/60	0.15/0.13	16.0/14.0	2400/2900	0.68/0.88	24/31	3.30/4.83	31/35
8038S1H*	Sleeve									
8038B1M*	Ball	115	50/60	0.13/0.11	14.0/12.0	2200/2400	0.62/0.65	22/23	3.10/3.60	27/31
8038S1M*	Sleeve									
8038B1L*	Ball	115	50/60	0.10/0.09	10.0/9.0	1800/1600	0.51/0.48	18/17	2.90/2.70	19/17
8038S1L*	Sleeve									
8038B2H*	Ball	220/240	50/60	0.11/0.10	18.0/16.0	2400/2900	0.68/0.88	24/31	3.30/4.83	31/35
8038S2H*	Sleeve									
8038B2M*	Ball	220/240	50/60	0.09/0.08	14.0/12.0	2200/2400	0.62/0.65	22/23	3.10/3.60	27/31
8038S2M*	Sleeve									
8038B2L*	Ball	220/240	50/60	0.08/0.07	10.0/9.0	1800/1600	0.51/0.48	18/17	2.90/2.70	19/17
8038S2L*	Sleeve									

*=T,L(T-Terminal type,L-Lead wire)



Rickson Engineering Ltd.
21/F, Sun Hing Ind. Building,
46 Wong Chuk Hang Road, Hong Kong.

Tel: (852) 3120 7500
Fax: (852) 3120 7511

利信機電有限公司
香港黃竹坑道 46 號
新興工業大廈 21 字樓

Email: general@rickson.com.hk
Website: <http://www.rickson.com.hk>

K-LINE Axial Flow AC Cooling Fan

Reverse Air Flow



SIZE:

- 80 x 80 x 38mm

CONSTRUCTION:

- Die-cast aluminum housing
- Glass fiber reinforced plastic impeller, UL 94V-0 grade
- Impedance protected
- Available with lead wire or terminal connection

OPERATING TEMPERATURE:

- Ball Bearing -30°C to +75°C
- Sleeve Bearing -10°C to +70°C

WEIGHT:

- 340 grams

03

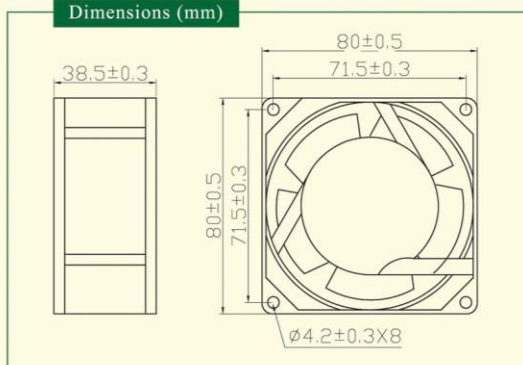
Specifications

Specifications are subject to change without notice

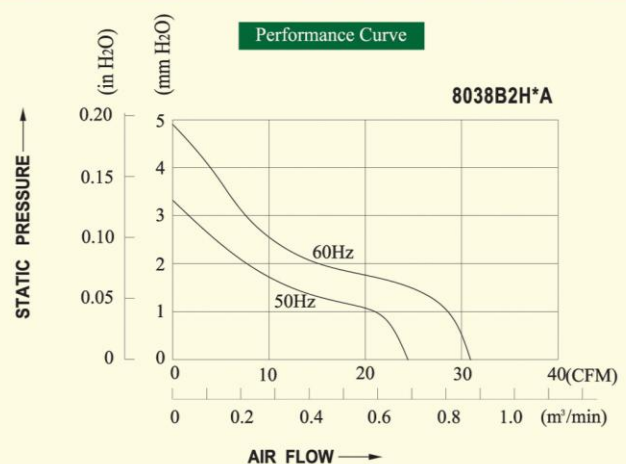
MODEL	BEARING	RATING	FREQUENCY	RATING	POWER	SPEED	AIR FLOW		STATIC	NOISE
		VOLTAGE		CURRENT			CONSUMPTION	m ³ /min		
		VAC	Hz	A	W	RPM			mmH ₂ O	dB-A
8038B1H*A	Ball	115	50/60	0.15/0.13	16.0/14.0	2400/2900	0.68/0.88	24/31	3.30/4.83	31/35
8038S1H*A	Sleeve									
8038B1M*A	Ball	115	50/60	0.13/0.11	14.0/12.0	2200/2400	0.62/0.65	22/23	3.10/3.60	27/31
8038S1M*A	Sleeve									
8038B1L*A	Ball	115	50/60	0.10/0.09	10.0/9.0	1800/1600	0.51/0.48	18/17	2.90/2.70	19/17
8038S1L*A	Sleeve									
8038B2H*A	Ball	220/240	50/60	0.11/0.10	18.0/16.0	2400/2900	0.68/0.88	24/31	3.30/4.83	31/35
8038S2H*A	Sleeve									
8038B2M*A	Ball	220/240	50/60	0.09/0.08	14.0/12.0	2200/2400	0.62/0.65	22/23	3.10/3.60	27/31
8038S2M*A	Sleeve									
8038B2L*A	Ball	220/240	50/60	0.08/0.07	10.0/9.0	1800/1600	0.51/0.48	18/17	2.90/2.70	19/17
8038S2L*A	Sleeve									

*=T,L(T-Terminal type,L-Lead wire)

Dimensions (mm)



Performance Curve



Rickson Engineering Ltd.
21/F, Sun Hing Ind. Building,
46 Wong Chuk Hang Road, Hong Kong.

Tel: (852) 3120 7500
Fax: (852) 3120 7511

利信機電有限公司
香港黃竹坑道 46 號
新興工業大廈 21 字樓

Email: general@rickson.com.hk
Website: <http://www.rickson.com.hk>

K-LINE Axial Flow AC Cooling Fan



SIZE:

- 92 x 92 x 25mm

04

CONSTRUCTION:

- Die-cast aluminum housing
- Glass fiber reinforced plastic impeller, UL 94V-0 grade
- Impedance protected
- Available with lead wire or terminal connection

OPERATING TEMPERATURE:

- Ball Bearing -30°C to +75°C
- Sleeve Bearing -10°C to +70°C

WEIGHT:

- 280 grams

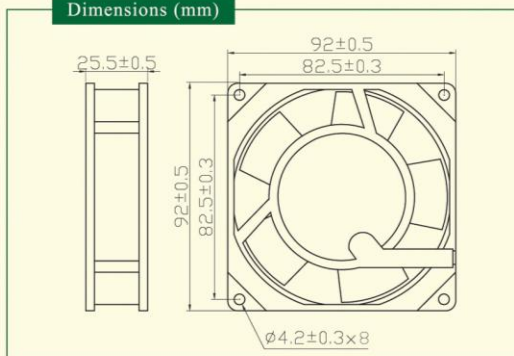
Specifications

Specifications are subject to change without notice

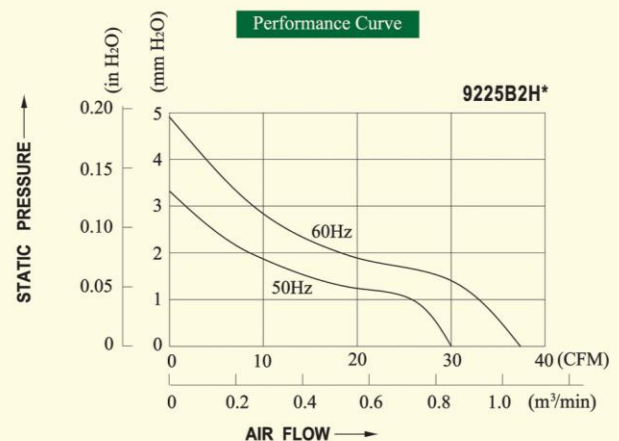
MODEL	BEARING	RATING	FREQUENCY	RATING	POWER	SPEED	AIR FLOW		STATIC	NOISE
		VOLTAGE		CURRENT			CONSUMPTION	m ³ /min		
		VAC	Hz	A	W	RPM			mmHzO	dB-A
9225B1H*	Ball	115	50/60	0.12/0.10	14.0/13.5	2550/2900	0.85/1.05	30/37	3.30/4.83	32/37
9225S1H*	Sleeve									
9225B1M*	Ball	115	50/60	0.09/0.08	11.0/10.0	2300/2600	0.71/0.85	25/30	3.00/3.50	25/33
9225S1M*	Sleeve									
9225B1L*	Ball	115	50/60	0.07/0.07	9.0/8.0	2000/2200	0.60/0.62	21/22	2.70/2.60	22/24
9225S1L*	Sleeve									
9225B2H*	Ball	220/240	50/60	0.07/0.06	14.0/13.5	2550/2900	0.85/1.05	30/37	3.30/4.83	32/37
9225S2H*	Sleeve									
9225B2M*	Ball	220/240	50/60	0.06/0.06	11.0/10.0	2300/2600	0.71/0.85	25/30	3.00/3.50	25/33
9225S2M*	Sleeve									
9225B2L*	Ball	220/240	50/60	0.05/0.05	9.0/8.0	2000/2200	0.60/0.62	21/22	2.70/2.60	22/24
9225S2L*	Sleeve									

*=T,L(T-Terminal type,L-Lead wire)

Dimensions (mm)



Performance Curve



Rickson Engineering Ltd.
21/F, Sun Hing Ind. Building,
46 Wong Chuk Hang Road, Hong Kong.

Tel: (852) 3120 7500
Fax: (852) 3120 7511

利信機電有限公司
香港黃竹坑道 46 號
新興工業大廈 21 字樓

Email: general@rickson.com.hk
Website: <http://www.rickson.com.hk>

K-LINE Axial Flow AC Cooling Fan



SIZE:

- 92 x 92 x 38mm

05

CONSTRUCTION:

- Die-cast aluminum housing
- Glass fiber reinforced plastic impeller, UL 94V-0 grade
- Impedance protected
- Available with lead wire or terminal connection

OPERATING TEMPERATURE:

- Ball Bearing -30°C to +75°C
- Sleeve Bearing -10°C to +70°C

WEIGHT:

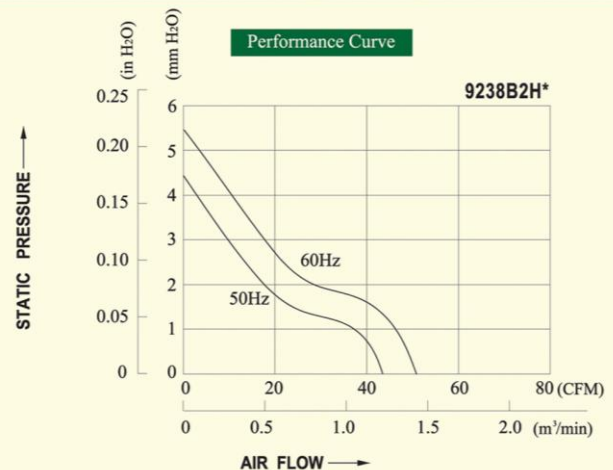
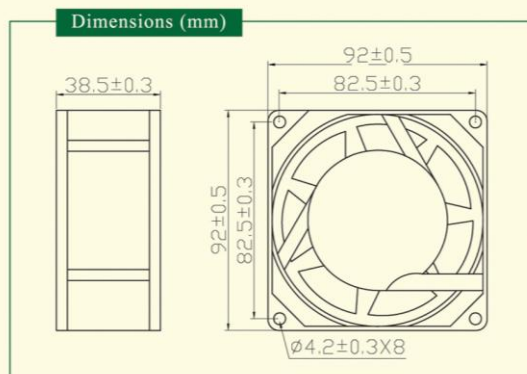
- 350 grams

Specifications

Specifications are subject to change without notice

MODEL	BEARING	RATING	FREQUENCY	RATING	POWER	SPEED	AIR FLOW		STATIC	NOISE
		VOLTAGE		CURRENT			CONSUMPTION	m ³ /min		
		VAC	Hz	A	W	RPM			mmH ₂ O	dB-A
9238B1H*	Ball	115	50/60	0.16/0.14	16.0/14.0	2400/2900	1.22/1.42	43/50	4.50/5.50	32/36
9238S1H*	Sleeve									
9238B1M*	Ball	115	50/60	0.13/0.11	14.0/12.0	2200/2400	0.79/0.91	28/32	3.50/4.20	27/31
9238S1M*	Sleeve									
9238B1L*	Ball	115	50/60	0.10/0.09	10.0/9.0	1800/1600	0.68/0.65	24/23	3.00/2.70	20/18
9238S1L*	Sleeve									
9238B2H*	Ball	220/240	50/60	0.12/0.11	16.0/14.0	2400/2900	1.22/1.42	43/50	4.50/5.50	32/36
9238S2H*	Sleeve									
9238B2M*	Ball	220/240	50/60	0.09/0.08	14.0/12.0	2200/2400	0.79/0.91	28/32	3.50/4.20	27/31
9238S2M*	Sleeve									
9238B2L*	Ball	220/240	50/60	0.08/0.07	10.0/9.0	1800/1600	0.68/0.65	24/23	3.00/2.70	20/18
9238S2L*	Sleeve									

*=T,L(T-Terminal type,L-Lead wire)



Rickson Engineering Ltd.
21/F, Sun Hing Ind. Building,
46 Wong Chuk Hang Road, Hong Kong.

Tel: (852) 3120 7500
Fax: (852) 3120 7511

利信機電有限公司
香港黃竹坑道 46 號
新興工業大廈 21 字樓

Email: general@rickson.com.hk
Website: <http://www.rickson.com.hk>

K-LINE Axial Flow AC Cooling Fan



SIZE:

- 110 x 110 x 25mm

06

CONSTRUCTION:

- Die-cast aluminum housing
- Glass fiber reinforced plastic impeller, UL 94V-0 grade
- Impedance protected
- Available with lead wire connection only

OPERATING TEMPERATURE:

- Ball Bearing -30°C to +75°C
- Sleeve Bearing -10°C to +70°C

WEIGHT:

- 310 grams

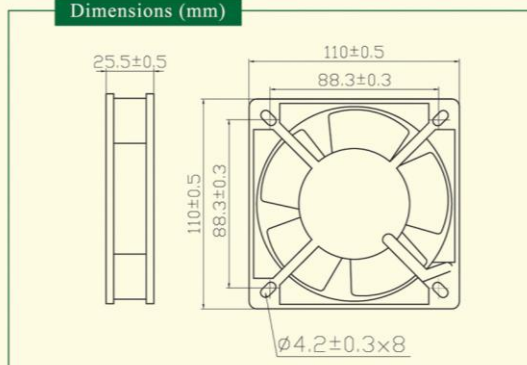
Specifications

Specifications are subject to change without notice

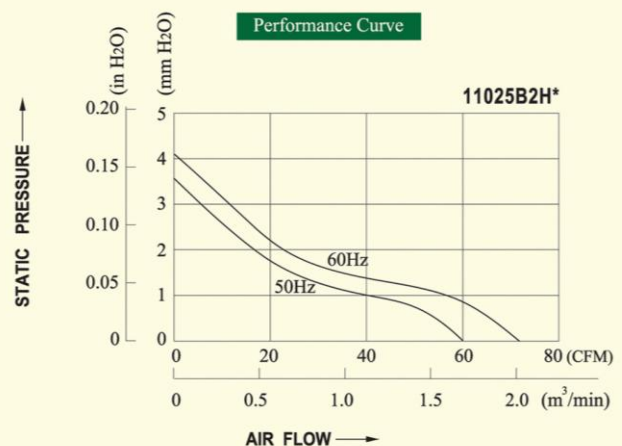
MODEL	BEARING	RATING	FREQUENCY	RATING	POWER	SPEED	AIR FLOW		STATIC	NOISE
		VOLTAGE		CURRENT			CONSUMPTION	m ³ /min		
		VAC	Hz	A	W	RPM			mmH ₂ O	dB-A
11025B1H*	Ball	115	50/60	0.19/0.18	19.0/18.0	2200/2400	1.70/2.01	60/71	3.56/4.06	36/38
11025S1H*	Sleeve									
11025B1M*	Ball	115	50/60	0.16/0.15	16.0/15.0	2000/2000	1.47/1.47	52/52	3.00/3.20	33/33
11025S1M*	Sleeve									
11025B1L*	Ball	115	50/60	0.13/0.11	14.0/13.0	1800/1700	1.30/1.27	46/45	2.78/2.68	28/27
11025S1L*	Sleeve									
11025B2H*	Ball	220/240	50/60	0.09/0.09	19.0/18.0	2200/2400	1.70/2.01	60/71	3.56/4.06	36/38
11025S2H*	Sleeve									
11025B2M*	Ball	220/240	50/60	0.07/0.07	16.0/15.0	2000/2000	1.47/1.47	52/52	3.00/3.20	33/33
11025S2M*	Sleeve									
11025B2L*	Ball	220/240	50/60	0.05/0.05	14.0/13.0	1800/1700	1.30/1.27	46/45	2.78/2.68	28/27
11025S2L*	Sleeve									

*=T,L(T-Terminal type,L-Lead wire)

Dimensions (mm)



Performance Curve



Rickson Engineering Ltd.
21/F, Sun Hing Ind. Building,
46 Wong Chuk Hang Road, Hong Kong.

Tel: (852) 3120 7500
Fax: (852) 3120 7511

利信機電有限公司
香港黃竹坑道 46 號
新興工業大廈 21 字樓

Email: general@rickson.com.hk
Website: <http://www.rickson.com.hk>

K-LINE Axial Flow AC Cooling Fan



SIZE:

- 120 x 120 x 25mm

07

CONSTRUCTION:

- Die-cast aluminum housing
- Glass fiber reinforced plastic impeller, UL 94V-0 grade
- Impedance protected
- Available with lead wire or terminal connection

OPERATING TEMPERATURE:

- Ball Bearing -30°C to +75°C
- Sleeve Bearing -10°C to +70°C

WEIGHT:

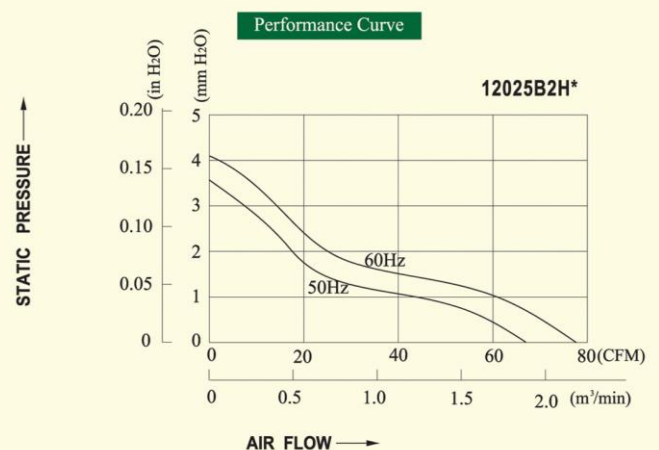
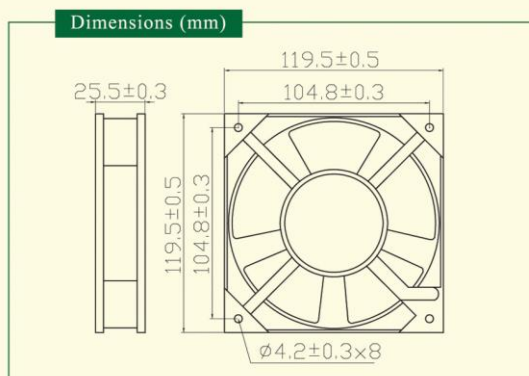
- 330 grams

Specifications

Specifications are subject to change without notice

MODEL	BEARING	RATING	FREQUENCY	RATING	POWER	SPEED	AIR FLOW		STATIC	NOISE
		VOLTAGE		CURRENT			CONSUMPTION	m ³ /min		
		VAC	Hz	A	W	RPM			mmH ₂ O	
12025B1H*	Ball	115	50/60	0.19/0.18	19.0/18.0	2200/2400	1.87/2.21	66/78	3.56/4.06	38/40
12025S1H*	Sleeve									
12025B1M*	Ball	115	50/60	0.16/0.15	16.0/15.0	2000/2000	1.64/1.64	58/58	3.00/3.20	35/35
12025S1M*	Sleeve									
12025B1L*	Ball	115	50/60	0.13/0.11	14.0/13.0	1800/1700	1.40/1.36	50/48	2.78/2.68	30/29
12025S1L*	Sleeve									
12025B2H*	Ball	220/240	50/60	0.09/0.09	19.0/18.0	2200/2400	1.87/2.21	66/78	3.56/4.06	38/40
12025S2H*	Sleeve									
12025B2M*	Ball	220/240	50/60	0.07/0.07	16.0/15.0	2000/2000	1.64/1.64	58/58	3.00/3.20	35/35
12025S2M*	Sleeve									
12025B2L*	Ball	220/240	50/60	0.05/0.05	14.0/13.0	1800/1700	1.40/1.36	50/48	2.78/2.68	30/29
12025S2L*	Sleeve									

*=T,L(T-Terminal type,L-Lead wire)



Rickson Engineering Ltd.
21/F, Sun Hing Ind. Building,
46 Wong Chuk Hang Road, Hong Kong.

Tel: (852) 3120 7500
Fax: (852) 3120 7511

利信機電有限公司
香港黃竹坑道 46 號
新興工業大廈 21 字樓

Email: general@rickson.com.hk
Website: <http://www.rickson.com.hk>

K-LINE Axial Flow AC Cooling Fan

7 Impellers



SIZE:

- 120 x 120 x 25mm

CONSTRUCTION:

- Die-cast aluminum housing
- Glass fiber reinforced plastic impeller, UL 94V-0 grade
- Impedance protected
- Available with lead wire or terminal connection

OPERATING TEMPERATURE:

- Ball Bearing -30°C to +75°C
- Sleeve Bearing -10°C to +70°C

WEIGHT:

- 380 grams

08

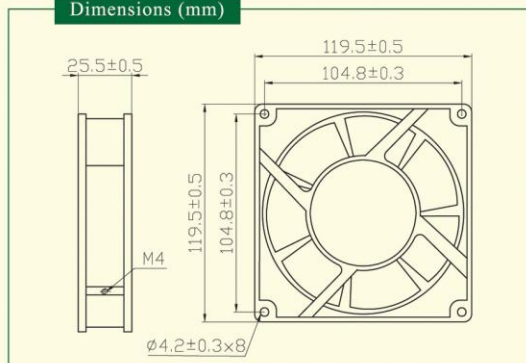
Specifications

Specifications are subject to change without notice

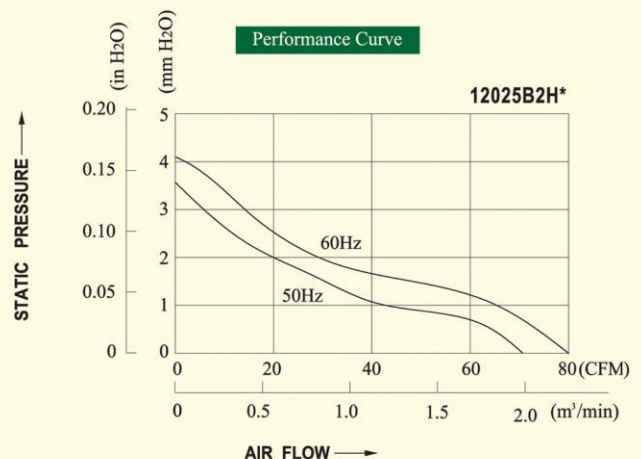
MODEL	BEARING	RATING	FREQUENCY	RATING	POWER	SPEED	AIR FLOW		STATIC	NOISE
		VOLTAGE	Hz	CURRENT	CONSUMPTION		mmH ₂ O	dB-A		
		VAC	Hz	A	W	RPM	m ³ /min	CFM	mmH ₂ O	dB-A
12025B1H*	Ball	115	50/60	0.17/0.16	16.0/15.0	2200/2400	1.98/2.26	70/80	3.56/4.06	38/40
12025S1H*	Sleeve									
12025B1M*	Ball	115	50/60	0.16/0.15	13.0/12.0	2000/2000	1.76/1.76	62/62	3.00/3.20	35/35
12025S1M*	Sleeve									
12025B1L*	Ball	115	50/60	0.13/0.11	11.0/10.0	1800/1700	1.56/1.47	55/52	2.78/2.68	30/29
12025S1L*	Sleeve									
12025B2H*	Ball	220/240	50/60	0.09/0.09	16.0/15.0	2200/2400	1.98/2.26	70/80	3.56/4.06	38/40
12025S2H*	Sleeve									
12025B2M*	Ball	220/240	50/60	0.07/0.07	13.0/12.0	2000/2000	1.76/1.76	62/62	3.00/3.20	35/35
12025S2M*	Sleeve									
12025B2L*	Ball	220/240	50/60	0.05/0.05	11.0/10.0	1800/1700	1.56/1.47	55/52	2.78/2.68	30/29
12025S2L*	Sleeve									

*=T,L(T-Terminal type,L-Lead wire)

Dimensions (mm)



Performance Curve



Rickson Engineering Ltd.
21/F, Sun Hing Ind. Building,
46 Wong Chuk Hang Road, Hong Kong.

Tel: (852) 3120 7500

Fax: (852) 3120 7511

利信機電有限公司
香港黃竹坑道 46 號
新興工業大廈 21 字樓

Email: general@rickson.com.hk

Website: <http://www.rickson.com.hk>

K-LINE Axial Flow AC Cooling Fan

09



SIZE:

- 120 x 120 x 38mm

CONSTRUCTION:

- Die-cast aluminum housing
- Glass fiber reinforced plastic impeller, UL 94V-0 grade
- Impedance protected
- Available with lead wire or terminal connection

OPERATING TEMPERATURE:

- Ball Bearing -30°C to +75°C
- Sleeve Bearing -10°C to +70°C

WEIGHT:

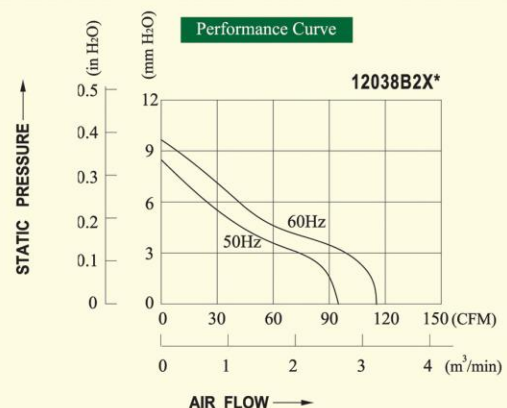
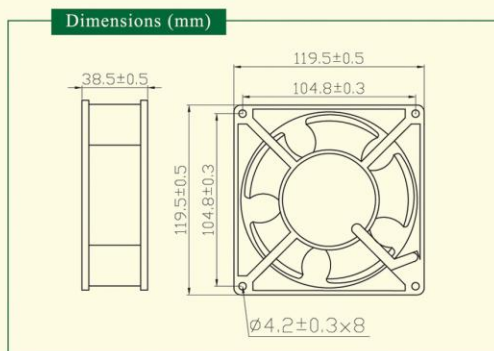
- 530 grams

Specifications

Specifications are subject to change without notice

MODEL	BEARING	RATING	FREQUENCY	RATING	POWER	SPEED	AIR FLOW		STATIC	NOISE
		VOLTAGE		CURRENT	CONSUMPTION		PRESSURE			
		VAC	Hz	A	W	RPM	m ³ /min	CFM	mmH ₂ O	dB-A
12038B1H*	Ball	115	50/60	0.22/0.18	21.0/18.0	2650/2950	2.58/3.20	91/113	7.35/8.62	40/45
12038S1H*	Sleeve									
12038B1M*	Ball	115	50/60	0.17/0.15	16.0/14.0	2400/2200	2.10/2.00	75/70	5.60/5.00	37/35
12038S1M*	Sleeve									
12038B1L*	Ball	115	50/60	0.14/0.12	12.0/10.5	2000/1800	1.87/1.70	66/60	4.80/4.50	30/29
12038S1L*	Sleeve									
12038B2X*	Ball	220/240	50/60	0.14/0.12	22.0/21.0	2700/3100	2.68/3.25	95/115	8.38/9.65	42/47
12038S2X*	Sleeve									
12038B2H*	Ball	220/240	50/60	0.12/0.11	20.0/19.0	2650/2950	2.58/3.20	91/113	7.35/8.62	40/45
12038S2H*	Sleeve									
12038B2M*	Ball	220/240	50/60	0.09/0.08	16.0/14.0	2400/2200	2.10/2.00	75/70	5.60/5.00	37/35
12038S2M*	Sleeve									
12038B2L*	Ball	220/240	50/60	0.08/0.08	12.0/10.5	2000/1800	1.87/1.70	66/60	4.80/4.50	30/29
12038S2L*	Sleeve									
12038B3H*	Ball	380	50	0.07	18.0	2600	2.58	91	6.35	40
12038S3H*	Sleeve									
12038B3M*	Ball	380	50	0.06	16.0	2400	2.10	75	5.60	37
12038S3M*	Sleeve									
12038B3L*	Ball	380	50	0.05	12.0	2000	1.87	66	4.80	30
12038S3L*	Sleeve									

*=T,L(T-Terminal type,L-Lead wire)



Rickson Engineering Ltd.
21/F, Sun Hing Ind. Building,
46 Wong Chuk Hang Road, Hong Kong.

Tel: (852) 3120 7500
Fax: (852) 3120 7511

利信機電有限公司
香港黃竹坑道 46 號
新興工業大廈 21 字樓

Email: general@rickson.com.hk
Website: <http://www.rickson.com.hk>

K-LINE Axial Flow AC Cooling Fan

7 Impellers



SIZE:

- 120 x 120 x 38mm

10

CONSTRUCTION:

- Die-cast aluminum housing
- Glass fiber reinforced plastic impeller, UL 94V-0 grade
- Impedance protected
- Available with lead wire or terminal connection

OPERATING TEMPERATURE:

- Ball Bearing -30°C to +75°C
- Sleeve Bearing -10°C to +70°C

WEIGHT:

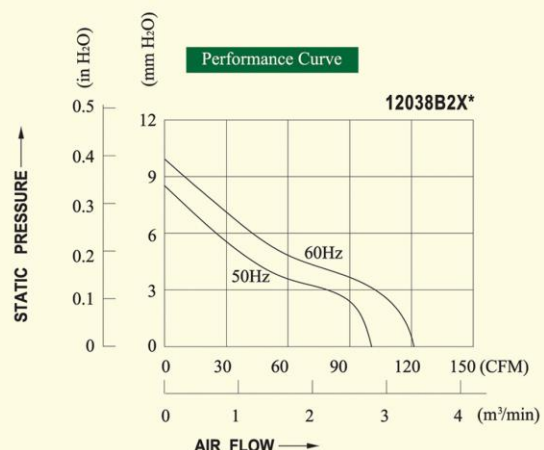
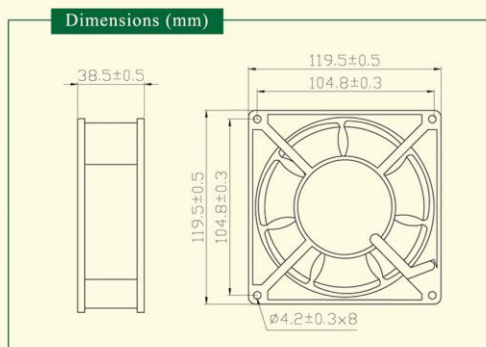
- 530 grams

Specifications

Specifications are subject to change without notice

MODEL	BEARING	RATING	FREQUENCY	RATING	POWER	SPEED	AIR FLOW		STATIC	NOISE
		VOLTAGE	Hz	CURRENT	CONSUMPTION		m ³ /min	CFM	PRESSURE	
		VAC		A	W	RPM			mmHzO	dB-A
12038B1H*	Ball	115	50/60	0.22/0.18	21.0/18.0	2550/2900	2.64/3.26	93/115	6.67/8.01	40/45
12038S1H*	Sleeve									
12038B1M*	Ball	115	50/60	0.17/0.15	16.0/14.0	2400/2200	2.41/2.21	85/78	4.90/4.50	37/35
12038S1M*	Sleeve									
12038B1L*	Ball	115	50/60	0.14/0.12	12.0/10.5	2000/1800	2.09/1.93	74/68	4.00/3.70	30/29
12038S1L*	Sleeve									
12038B2X*	Ball	220/240	50/60	0.14/0.12	22.0/21.0	2600/3000	2.78/3.34	98/118	8.00/9.50	42/47
12038S2X*	Sleeve									
12038B2H*	Ball	220/240	50/60	0.12/0.11	20.0/19.0	2550/2900	2.64/3.26	93/115	6.67/8.01	40/45
12038S2H*	Sleeve									
12038B2M*	Ball	220/240	50/60	0.09/0.08	16.0/14.0	2400/2200	2.41/2.21	85/78	4.90/4.50	37/35
12038S2M*	Sleeve									
12038B2L*	Ball	220/240	50/60	0.08/0.08	12.0/10.5	2000/1800	2.09/1.93	74/68	4.00/3.70	30/29
12038S2L*	Sleeve									
12038B3H*	Ball	380	50	0.06	18.0	2550	2.72	96	6.67	40
12038S3H*	Sleeve									
12038B3M*	Ball	380	50	0.05	12.0	2400	2.41	85	4.90	37
12038S3M*	Sleeve									

*=T,L(T-Terminal type,L-Lead wire)



Rickson Engineering Ltd.
21/F, Sun Hing Ind. Building,
46 Wong Chuk Hang Road, Hong Kong.

Tel: (852) 3120 7500
Fax: (852) 3120 7511

利信機電有限公司
香港黃竹坑道 46 號
新興工業大廈 21 字樓

Email: general@rickson.com.hk
Website: <http://www.rickson.com.hk>

K-LINE Axial Flow AC Cooling Fan

Big Air Flow



SIZE:

- 120 x 120 x 38mm

CONSTRUCTION:

- Die-cast aluminum housing
- Glass fiber reinforced plastic impeller, UL 94V-0 grade
- Impedance protected
- Available with lead wire or terminal connection

OPERATING TEMPERATURE:

- Ball Bearing -30°C to +75°C
- Sleeve Bearing -10°C to +70°C

WEIGHT:

- 530 grams

11

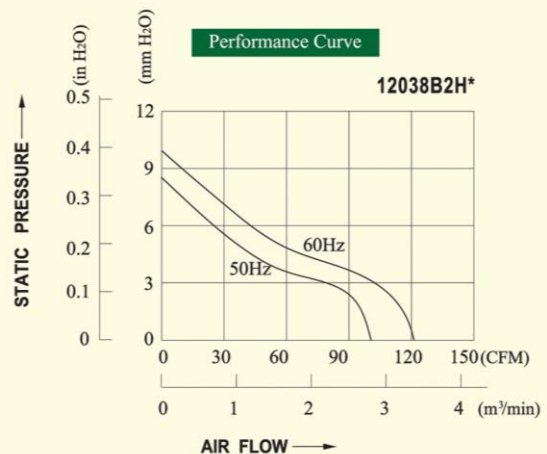
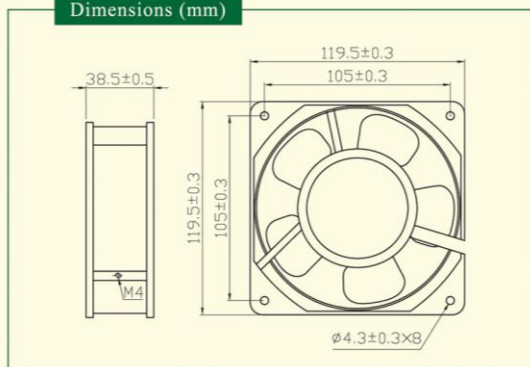
Specifications

Specifications are subject to change without notice

MODEL	BEARING	RATING	FREQUENCY	RATING	POWER	SPEED	AIR FLOW		STATIC PRESSURE	NOISE
		VOLTAGE		CURRENT			CONSUMPTION	m ³ /min		
		VAC	Hz	A	W	RPM			mmHzO	dB-A
12038B1H*	Ball	115	50/60	0.26/0.19	17.0/15.0	2700/3100	2.78/3.34	98/118	8.80/9.80	42/47
12038B2H*	Ball	220	50/60	0.12/0.10	17.0/15.0	2700/3100	2.78/3.34	98/118	8.80/9.80	42/47
12038B3H*	Ball	380	50	0.06	15.0	2700	2.78	98	8.80	42

*=T,L(T-Terminal type,L-Lead wire)

Dimensions (mm)



Rickson Engineering Ltd.
21/F, Sun Hing Ind. Building,
46 Wong Chuk Hang Road, Hong Kong.

Tel: (852) 3120 7500

Fax: (852) 3120 7511

利信機電有限公司
香港黃竹坑道 46 號
新興工業大廈 21 字樓

Email: general@rickson.com.hk

Website: <http://www.rickson.com.hk>

K-LINE Axial Flow AC Cooling Fan

12



SIZE:

- $\Phi 172 \times 150 \times 51$ mm

CONSTRUCTION:

- Die-cast aluminum housing
- Glass fiber reinforced plastic impeller, UL 94V-0 grade
- Impedance protected
- Available with lead wire or terminal connection

OPERATING TEMPERATURE:

- Ball Bearing -30°C to +75°C
- Sleeve Bearing -10°C to +70°C

WEIGHT:

- 908 grams

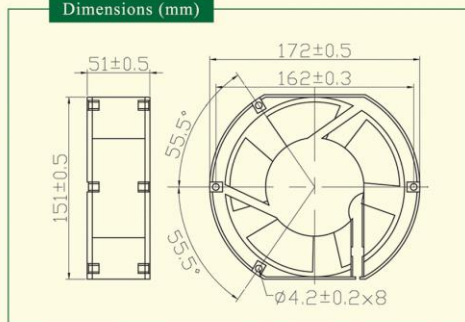
Specifications

Specifications are subject to change without notice

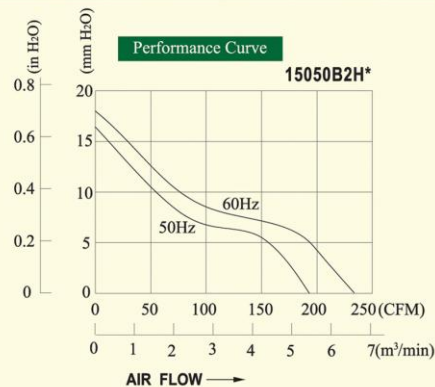
MODEL	BEARING	RATING	FREQUENCY	RATING	POWER	SPEED	AIR FLOW		STATIC	NOISE
		VOLTAGE	Hz	CURRENT	CONSUMPTION		m ³ /min	CFM	PRESSURE	
		VAC		A	W	RPM			mmH ₂ O	dB-A
15050B1H*	Ball	115	50/60	0.50/0.45	37.0/36.0	2700/3100	5.37/6.65	190/235	16.00/17.78	45/50
15050S1H*	Sleeve									
15050B1M*	Ball	115	50/60	0.41/0.39	32.0/30.0	2400/2300	4.80/4.50	170/160	15.00/14.00	41/40
15050S1M*	Sleeve									
15050B1L*	Ball	115	50/60	0.35/0.35	26.0/25.0	1900/1500	3.50/3.00	125/105	8.00/6.00	32/30
15050S1L*	Sleeve									
15050B1X*-TC	Ball	115	50/60	0.22/0.23	25.0/27.0	2800/3200	5.74/6.76	203/239	17.10/18.88	51/58
15050B2H*	Ball									
15050S2H*	Sleeve	220/240	50/60	0.22/0.21	34.0/33.0	2700/3100	5.37/6.65	190/235	16.00/17.78	45/50
15050B2M*	Ball									
15050S2M*	Sleeve	220/240	50/60	0.19/0.18	30.0/28.0	2400/2300	4.80/4.50	170/160	15.00/14.00	41/40
15050B2L*	Ball									
15050S2L*	Sleeve	220/240	50/60	0.16/0.16	16.0/25.0	1900/1500	3.50/3.00	125/105	8.00/6.00	32/30
15050B2X*-TC	Ball									
15050S2X*-TC	Sleeve	220/240	50/60	0.11/0.11	25.0/26.0	2800/3200	5.74/6.76	203/239	17.10/18.88	51/58
15050B3H*	Ball									
15050S3H*	Sleeve	380	50	0.11	34.0	2700	5.37	190	16.00	45
15050B3M*	Ball									
15050S3M*	Sleeve	380	50	0.09	30.0	2400	4.80	170	15.00	41
15050B3L*	Ball									
15050S3L*	Sleeve	380	50	0.07	26.0	1900	3.50	125	8.00	32
15050B3X*-TC	Ball									
15050S3X*-TC	Sleeve	380	50	0.06	20.0	2800	5.74	203	17.10	51

*=T,(T-Terminal type,L-Lead wire)

Dimensions (mm)



STATIC PRESSURE ↑



Rickson Engineering Ltd.
21/F, Sun Hing Ind. Building,
46 Wong Chuk Hang Road, Hong Kong.

Tel: (852) 3120 7500
Fax: (852) 3120 7511

利信機電有限公司
香港黃竹坑道 46 號
新興工業大廈 21 字樓

Email: general@rickson.com.hk
Website: <http://www.rickson.com.hk>

K-LINE Axial Flow AC Cooling Fan

7 Impellers



SIZE:

- $\Phi 172 \times 150 \times 51$ mm

CONSTRUCTION:

- Die-cast aluminum housing
- Glass fiber reinforced plastic impeller, UL 94V-0 grade
- Impedance protected
- Available with lead wire or terminal connection

OPERATING TEMPERATURE:

- Ball Bearing -30°C to +75°C
- Sleeve Bearing -10°C to +70°C

WEIGHT:

- 908 grams

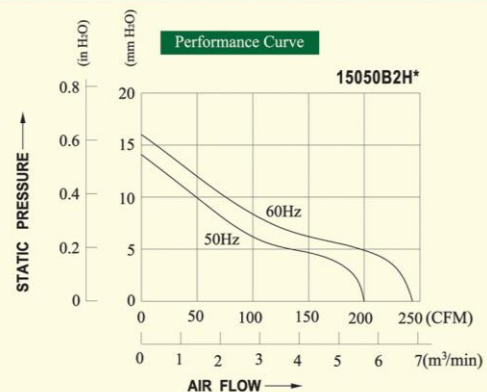
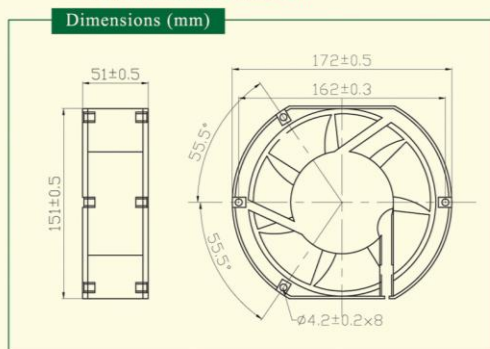
13

Specifications

Specifications are subject to change without notice

MODEL	BEARING	RATING	FREQUENCY	RATING	POWER	SPEED	AIR FLOW		STATIC	NOISE
		VOLTAGE	Hz	CURRENT	CONSUMPTION		m ³ /min	CFM	PRESSURE	
		VAC		A	W	RPM			mmHzO	dB-A
15050B1H*	Ball	115	50/60	0.50/0.45	37.0/36.0	2600/3000	5.68/6.96	200/245	14.00/16.00	46/52
15050S1H*	Sleeve									
15050B1M*	Ball	115	50/60	0.41/0.39	32.0/30.0	2400/2300	5.06/4.72	178/166	12.00/11.00	43/42
15050S1M*	Sleeve									
15050B1L*	Ball	115	50/60	0.35/0.35	26.0/25.0	1900/1500	3.69/3.27	130/115	7.80/5.90	35/33
15050S1L*	Sleeve									
15050B2H*	Ball	220/240	50/60	0.22/0.21	34.0/33.0	2600/3000	5.68/6.96	200/245	14.00/16.00	46/52
15050S2H*	Sleeve									
15050B2M*	Ball	220/240	50/60	0.19/0.18	30.0/28.0	2400/2300	5.06/4.72	178/166	12.00/11.00	43/42
15050S2M*	Sleeve									
15050B2L*	Ball	220/240	50/60	0.16/0.16	26.0/25.0	1900/1500	3.69/3.27	130/115	7.80/5.90	35/33
15050S2L*	Sleeve									
15050B3H*	Ball	380	50	0.11	34.0	2600	5.68	200	14.00	46
15050S3H*	Sleeve									
15050B3M*	Ball	380	50	0.09	30.0	2400	5.06	178	12.00	43
15050S3M*	Sleeve									
15050B3L*	Ball	380	50	0.07	26.0	1900	3.69	130	7.80	35
15050S3L*	Sleeve									

*=T,L(T-Terminal type,L-Lead wire)



Rickson Engineering Ltd.
21/F, Sun Hing Ind. Building,
46 Wong Chuk Hang Road, Hong Kong.

Tel: (852) 3120 7500
Fax: (852) 3120 7511

利信機電有限公司
香港黃竹坑道 46 號
新興工業大廈 21 字樓

Email: general@rickson.com.hk
Website: <http://www.rickson.com.hk>

K-LINE Axial Flow AC Cooling Fan

14



SIZE:

- $\Phi 220 \times 60$ mm

CONSTRUCTION:

- Die-cast aluminum housing
- Glass fiber reinforced plastic impeller, UL 94V-0 grade
- Impedance protected
- Available with lead wire or terminal connection

OPERATING TEMPERATURE:

- Ball Bearing -30°C to +75°C

WEIGHT:

- 1400 grams

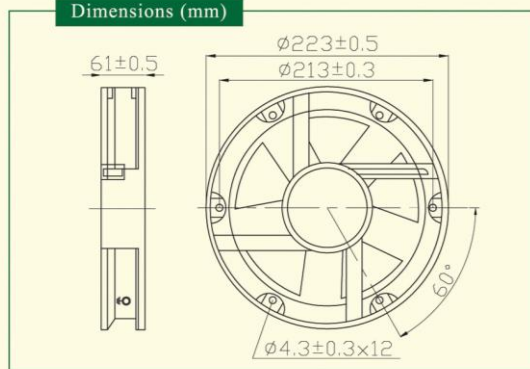
Specifications

Specifications are subject to change without notice

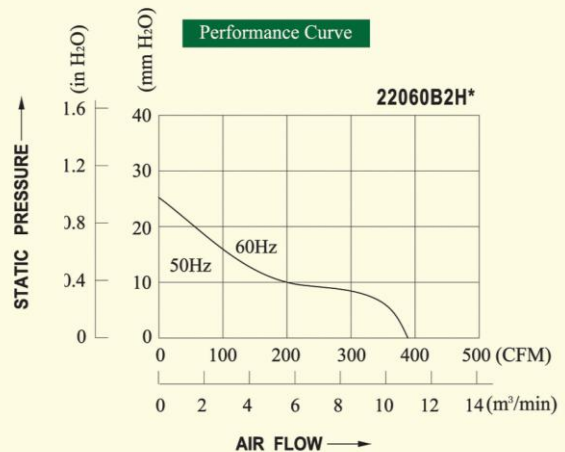
MODEL	BEARING	RATING	FREQUENCY	RATING	POWER	SPEED	AIR FLOW		STATIC	NOISE
		VOLTAGE					CURRENT	CONSUMPTION		
		VAC	Hz	A	W	RPM			mmHzO	dB-A
22060B1H*	Ball	115	50/60	0.76/0.77	57.0/58.0	2400	11.00	388	25.40	56
22060B1X*-TC	Ball	115	50/60	0.42/0.46	50.0/60.0	2800/3200	11.32/12.74	400/450	28.00/36.00	61/66
22060B2H*	Ball	220/240	50/60	0.28/0.29	40.0/38.0	2400	11.00	388	25.40	56
22060B2X*-TC	Ball	220/240	50/60	0.26/0.26	50.0/60.0	2800/3200	11.32/12.74	400/450	28.00/36.00	61/66
22060B3H*	Ball	380	50	0.16	40.0	2400	11.00	388	25.40	56

*=T,L(T-Terminal type,L-Lead wire)

Dimensions (mm)



Performance Curve



Rickson Engineering Ltd.
21/F, Sun Hing Ind. Building,
46 Wong Chuk Hang Road, Hong Kong.

Tel: (852) 3120 7500

Fax: (852) 3120 7511

利信機電有限公司
香港黃竹坑道 46 號
新興工業大廈 21 字樓

Email: general@rickson.com.hk

Website: <http://www.rickson.com.hk>

K-LINE Axial Flow AC Cooling Fan

15



SIZE:

- $\Phi 254 \times 89\text{mm}$

CONSTRUCTION:

- Die-cast aluminum housing
- Glass fiber reinforced plastic impeller, UL 94V-0 grade
- Impedance protected
- Available with lead wire or terminal connection

OPERATING TEMPERATURE:

- Ball Bearing -30°C to $+75^{\circ}\text{C}$

WEIGHT:

- 2000 grams

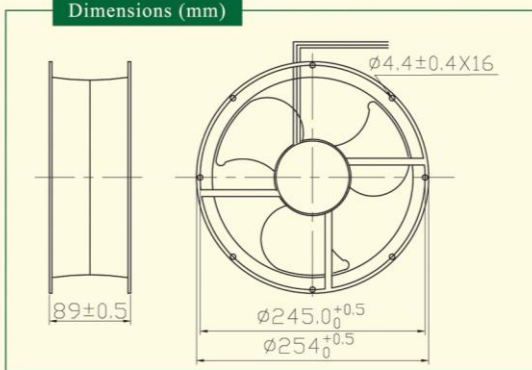
Specifications

Specifications are subject to change without notice

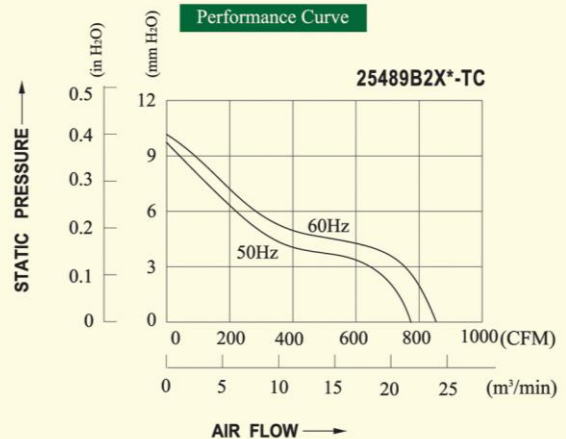
MODEL	BEARING	RATING	FREQUENCY	RATING	POWER	SPEED	AIR FLOW		STATIC	NOISE
		VOLTAGE		CURRENT			CONSUMPTION	m ³ /min		
		VAC	Hz	A	W	RPM			mmHzO	dB-A
25489B1H*-TC	Ball	115	50/60	0.23/0.23	26.0/23.0	1400/1600	16.98/18.82	600/665	6.86/9.14	50/52
25489B2X*-TC	Ball	220/240	50/60	0.24/0.27	56.0/60.0	1900/2100	21.79/24.06	770/850	9.65/10.16	55/57
25489B2H*-TC	Ball	220/240	50/60	0.15/0.13	30.0/30.0	1400/1600	16.98/18.82	600/665	6.86/9.14	50/52

*=T,L(T-Terminal type,L-Lead wire)

Dimensions (mm)



Performance Curve



Rickson Engineering Ltd.
21/F, Sun Hing Ind. Building,
46 Wong Chuk Hang Road, Hong Kong.

Tel: (852) 3120 7500

Fax: (852) 3120 7511

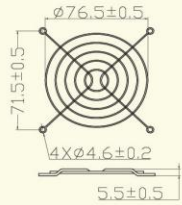
利信機電有限公司
香港黃竹坑道 46 號
新興工業大廈 21 字樓

Email: general@rickson.com.hk

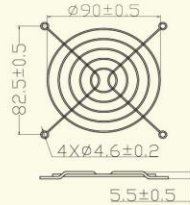
Website: <http://www.rickson.com.hk>

K-LINE Axial Flow AC Cooling Fan

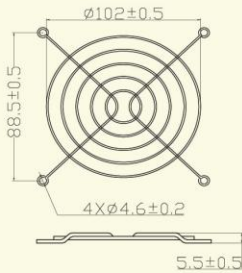
METAL FINGER GUARD



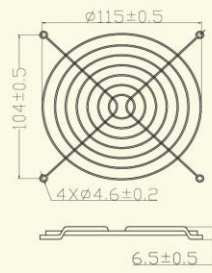
#80 for 80mm fan



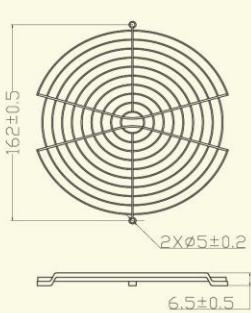
#92 for 92mm fan



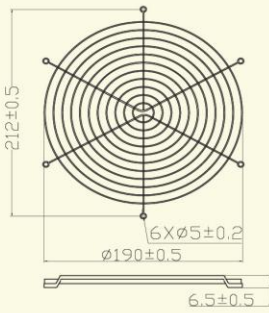
#110 for 110mm fan



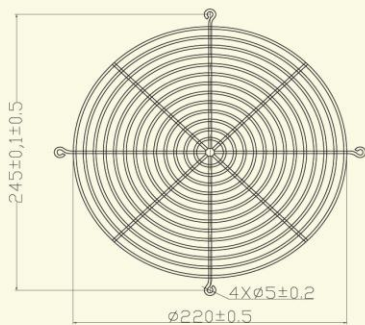
#120 for 120mm fan



#150 for 150mm fan

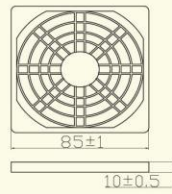


#220 for 220mm fan

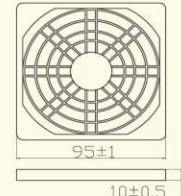


#254 for 254mm fan

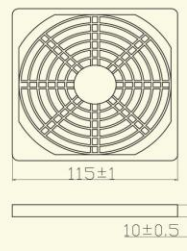
PLASTIC (FILTER) GUARD



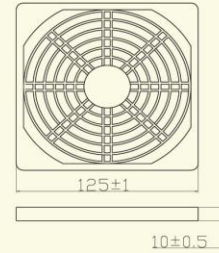
#80P for 80mm fan



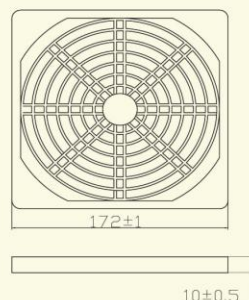
#92P for 92mm fan



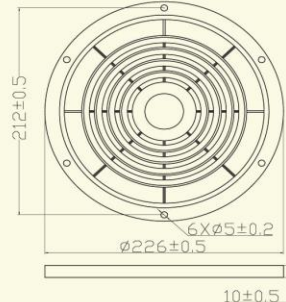
#110P for 110mm fan



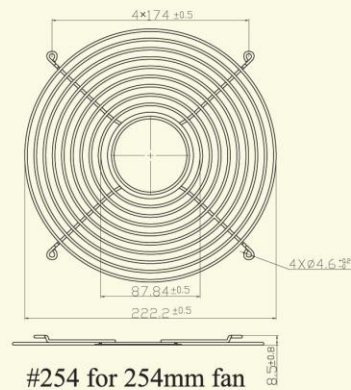
#120P for 120mm fan



#150P for 150mm fan



#220P for 220mm fan



#254 for 254mm fan

Rickson Engineering Ltd.
 21/F, Sun Hing Ind. Building,
 46 Wong Chuk Hang Road, Hong Kong.
 Tel: (852) 3120 7500
 Fax: (852) 3120 7511

利信機電有限公司
 香港黃竹坑道 46 號
 新興工業大廈 21 字樓
 Email: general@rickson.com.hk
 Website: <http://www.rickson.com.hk>